

Renewable Energy Solutions



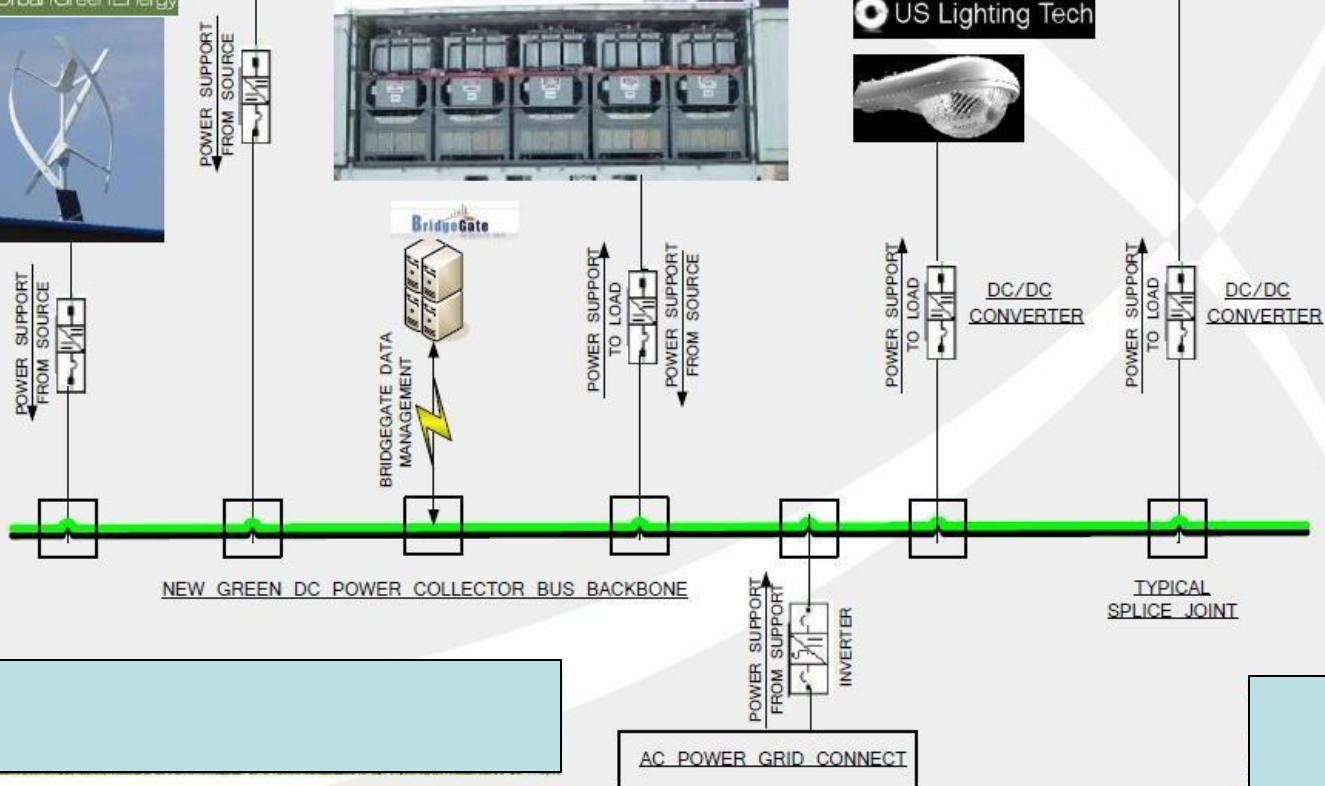
UrbanGreenEnergy



LARGE SCALE ENERGY STORAGE



US Lighting Tech



AC POWER GRID CONNECT



Urban Small Wind Power



Vertical Axis Wind Turbine

UGE-4K 4 kW (13.75' x 9')

UGE-1K 1 kW (7.5' x 5.25')

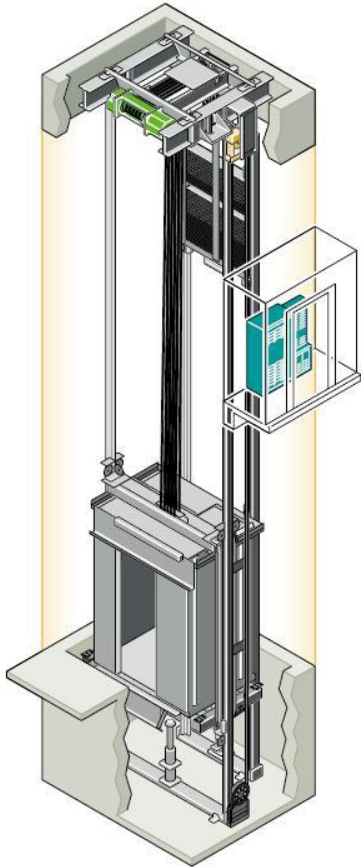
UGE-600 600 w (5.2' x 4.6')

Solar Photovoltaic (PV)



Energy Storage

Practical Application: Elevator power backup system



Credit: Otis Elevator



84" H x 48" D x 48" W



Hybrid Solution Example

Detail	Solar PV System	Elevator Power Back Up
Size	110 kW	150 kwh
System Info	<ul style="list-style-type: none">- 460 panels- Installed on an open web metal truss structure	3 batteries + power controller
Est. Production/Use	17,490 kwh / month	4 hours
Cost	\$700,000	\$400,000
Benefits	<ul style="list-style-type: none">- Installation structure will not impede roof maintenance.- Roof equipment not impacted- Minimal roof penetrations	<ul style="list-style-type: none">- No noise, fumes and O&M issues of diesel generator- PV recharges battery with 'free' energy- Offsets electric bill

NIDON

CLEAN ENERGY

www.nidon.biz

